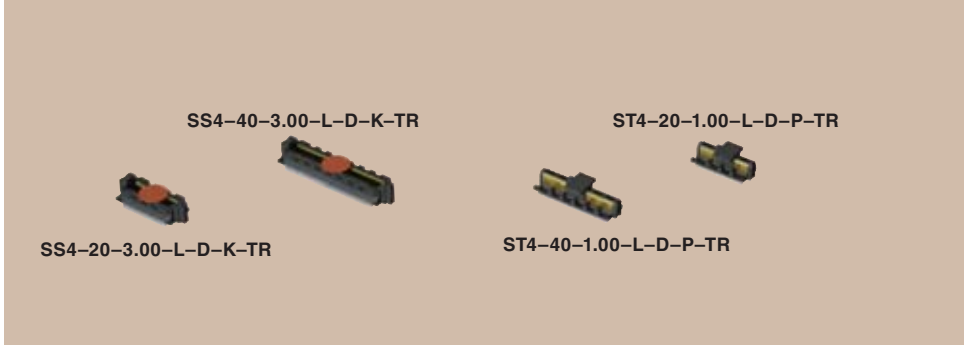




(0,40 mm) .01575"

SS4, ST4 SERIES



# ULTRA FINE PITCH HEADER & SOCKET

SS4 Mates with:  
ST4

ST4 Mates with:  
SS4

## SPECIFICATIONS

For complete specifications and recommended PCB layouts see [www.samtec.com](http://www.samtec.com)?SS4 or [www.samtec.com](http://www.samtec.com)?ST4

**Insulator Material:**  
Black LCP

**Contact Material:**  
Phosphor Bronze

**Plating:**  
Au or Sn over 50µ" (1,27 µm) Ni



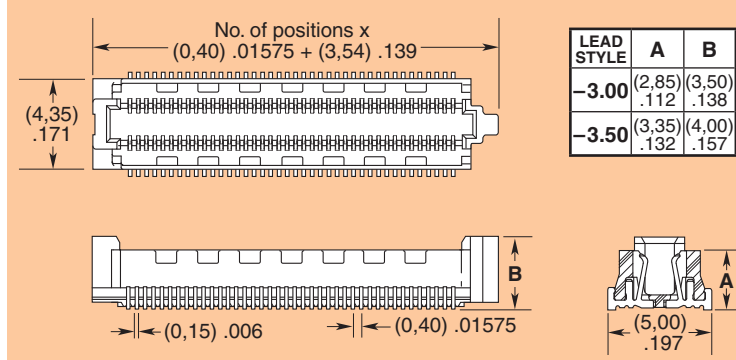
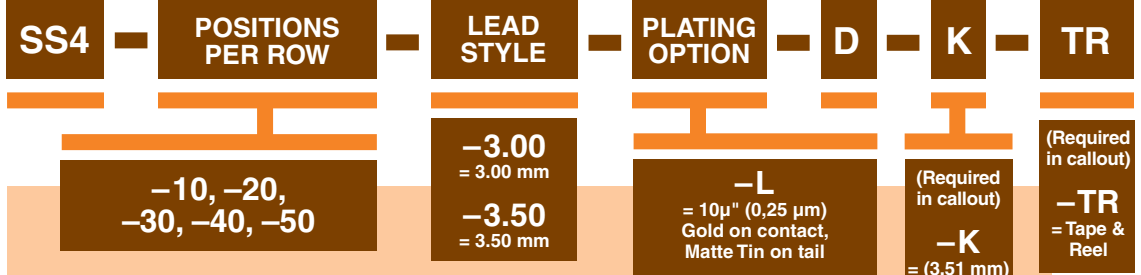
**Operating Temp Range:**  
-55°C to +125°C

**Current Rating:**  
1.3A per contact @ 80°C ambient

**RoHS Compliant:**  
Yes

**Processing:**  
Lead-Free Solderable:  
Yes

**SMT Lead Coplanarity:**  
(0,10 mm) .004" max

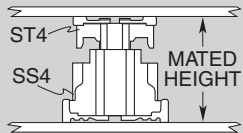


LEAD STYLE	A	B
-3.00	(2,85) .112	(3,50) .138
-3.50	(3,35) .132	(4,00) .157

SS4/ST4 4 mm Stack Height	Rated @ 3dB Insertion Loss*
Single-Ended Signaling	7.0 GHz / 14 Gbps
Differential Pair Signaling	4.5 GHz / 9 Gbps

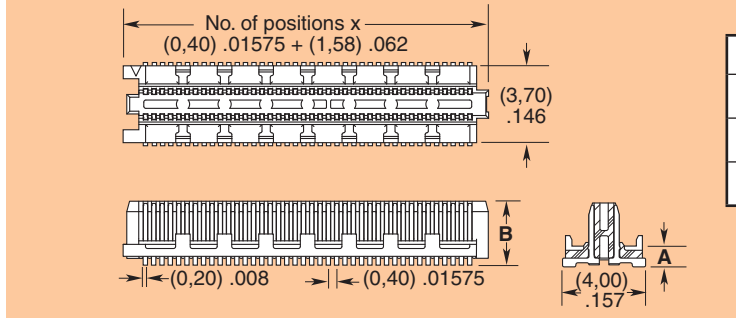
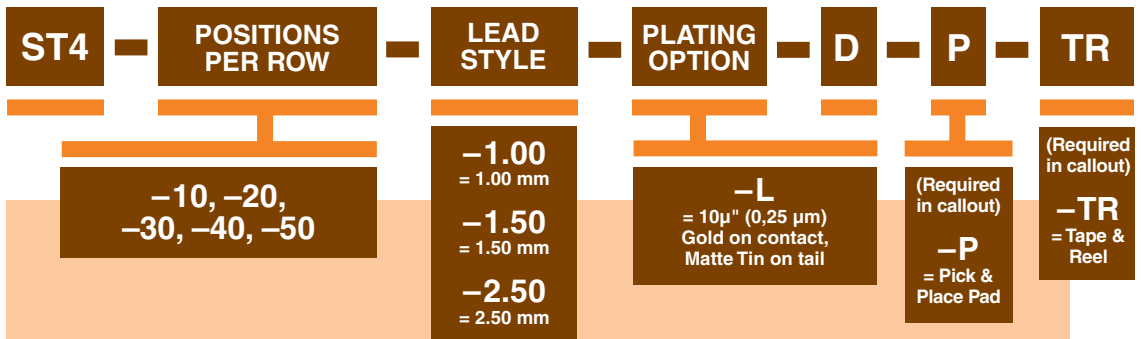
\*Performance data includes effects of a non-optimized PCB.  
Complete test data available at [www.samtec.com](http://www.samtec.com)?SS4, [www.samtec.com](http://www.samtec.com)?ST4 or contact sig@samtec.com

## MATED HEIGHT



MATED HEIGHT*		
ST4 LEAD STYLE	SS4 LEAD STYLE	
-1.00	(4,00) .157	(4,50) .177
-1.50	(4,50) .177	(5,00) .197
-2.50	(5,50) .217	(6,00) .236

\*Processing conditions will affect mated height.



LEAD STYLE	A	B
-1.00	(1,00) .039	(3,08) .121
-1.50	(1,50) .059	(3,58) .141
-2.50	(2,50) .098	(4,58) .180

**Note:** Some lengths, styles and options are non-standard, non-returnable.

Due to technical progress, all designs, specifications and components are subject to change without notice.

[WWW.SAMTEC.COM](http://WWW.SAMTEC.COM)