



**PARA LIGHT ELECTRONICS CO., LTD.**

4F, No.1, Lane 93, Chien Yi Road, Chung Ho City, Taipei, Taiwan, R.O.C.

Tel: 886-2-2225-3733

Fax: 886-2-2225-4800

E-mail: [para@para.com.tw](mailto:para@para.com.tw)

<http://www.para.com.tw>

**DATA SHEET**

**PART NO. : K-01401GX**

**REV : A / 3**

CUSTOMER'S APPROVAL : \_\_\_\_\_

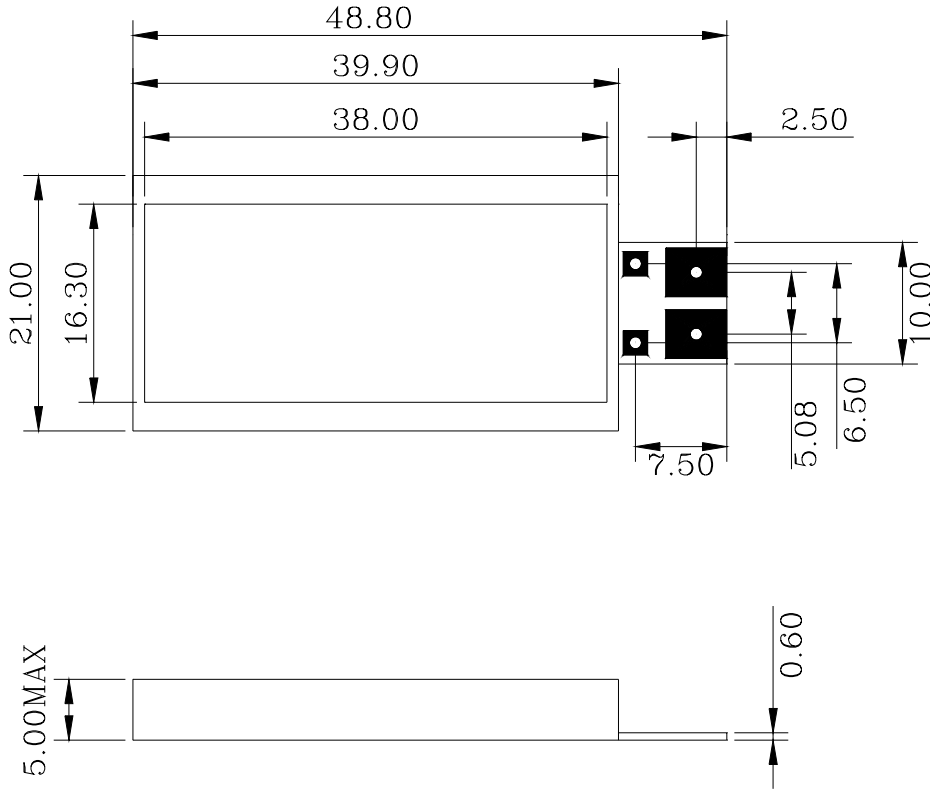
DCC : \_\_\_\_\_

DRAWING NO. : DS-18-02-0084

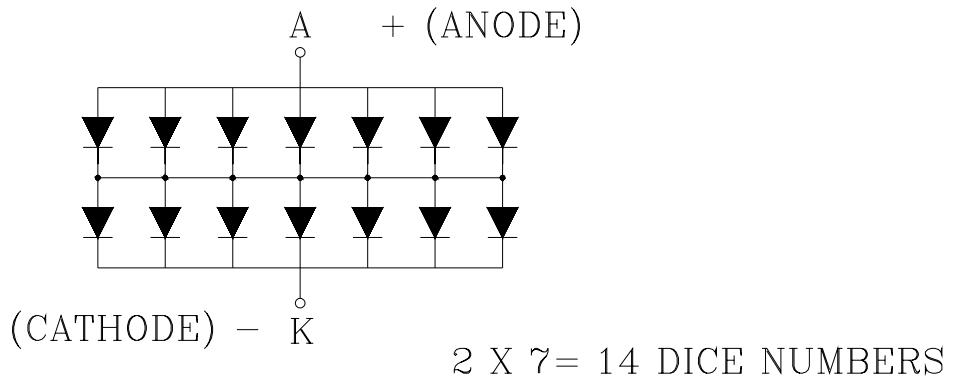
DATE : 2003-12-09

Page : 1

PACKAGE DIMENSIONS



TYPICAL INTERNAL EQUIVALENT CIRCUIT



- NOTES : 1. All dimensions are in millimeters. (inches)  
2. Tolerance is  $\pm 0.20(0.001")$  unless otherwise specified.

**FEATURES**

- \* 16.3mm x 38.0mm LCD BACK LIGHT
- \* LOW POWER CONSUMPTION

Raw Material : GaP/GaP

**ABSOLUTE MAXIMUM RATING : ( Ta = 25°C )**

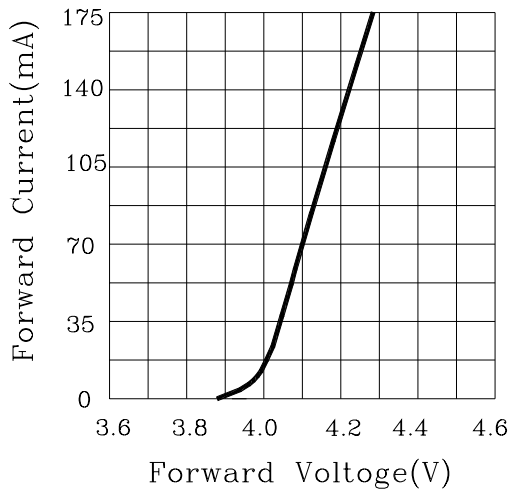
SYMBOL	PARAMETER	MAX	UNIT
PAD	Power Dissipation	0.44	W
VR	Reverse Voltage	8	V
IF	Forward Current	105	mA
Topr	Operating Temperature	- 20°C to 70°C	
Tstg	Storage Temperature	- 40°C to 80°C	

**ELECTRO-OPTICAL CHARACTERISTICS : ( Ta = 25°C )**

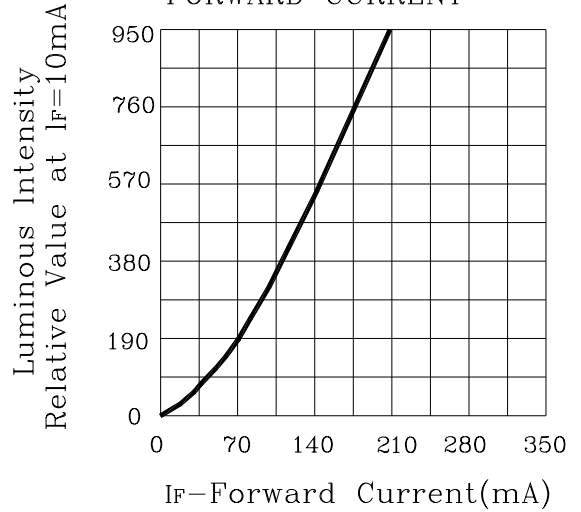
SYMBOL	PARAMETER	LIGHT SOURCE	TEST CONDITION	MIN.	TYP.	MAX.	UNIT
VF	Forward Voltage	Yellow Green	IF = 70mA		4.1	4.2	V
IR	Reverse Current	Yellow Green	VR = 8V			0.2	mA
λP	Peak Emission Wavelength	Yellow Green	IF = 70mA		568		nm
λD	Dominant Wavelength	Yellow Green	IF = 70mA		570		nm
Δλ	Spectral Line Half – Width	Yellow Green	IF = 70mA		30		nm
IV	Luminous Intensity	Yellow Green	IF = 70mA		190		cd/m <sup>2</sup>
	Luminous Tolerance	Yellow Green	IF = 70mA			50	%

NOTE : LUMINOUS TOLERANCE =  $\frac{B ( \text{max} - \text{min} )}{B ( \text{max} )} \times 100\%$

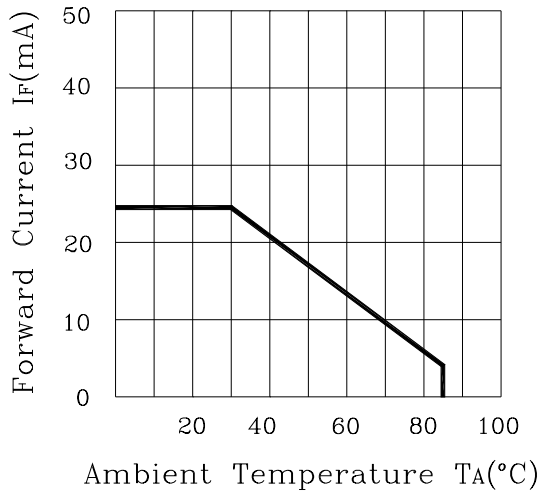
FORWARD CURRENT Vs.  
FORWARD VOLTAGE



LUMINOUS INTENSITY Vs.  
FORWARD CURRENT



FORWARD CURRENT  
DERATING CURVE



LUMINOUS INTENSITY Vs.  
AMBIENT TEMPERATURE

